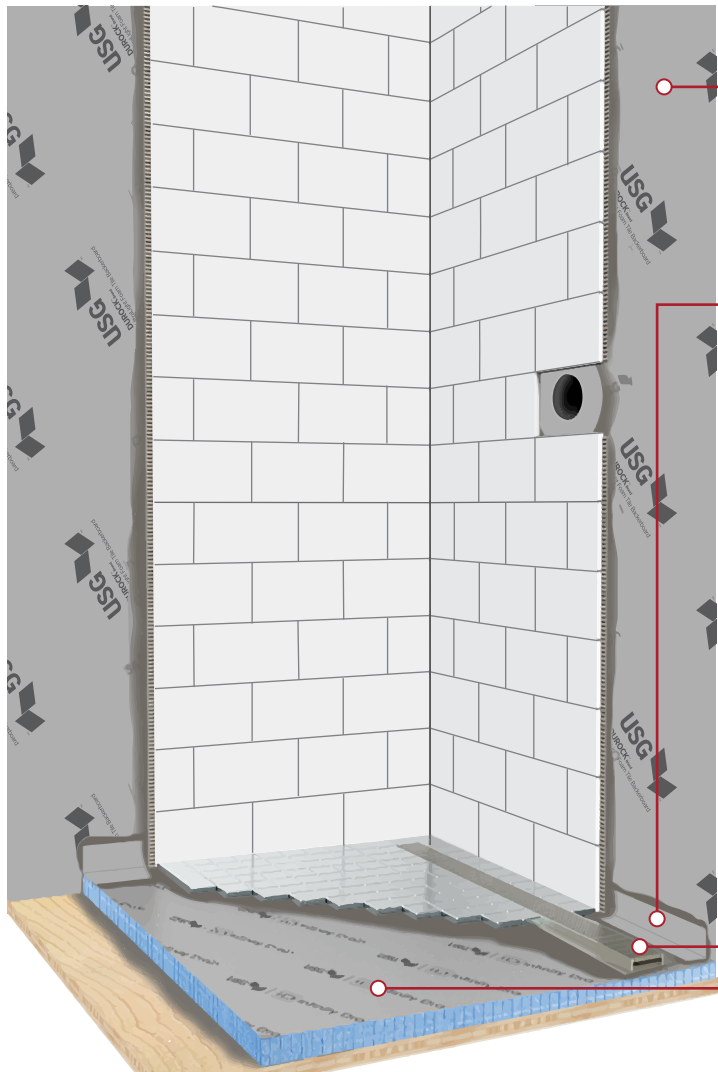


USG DUROCK™ BRAND INFINITY DRAIN™ SHOWER SYSTEM

Shower Floor and Drain Installation Guide

SHOWER AND DRAIN INSTALLATION



USG DUROCK™ BRAND
ULTRALIGHT FOAM
TILE BACKERBOARD (WALL)

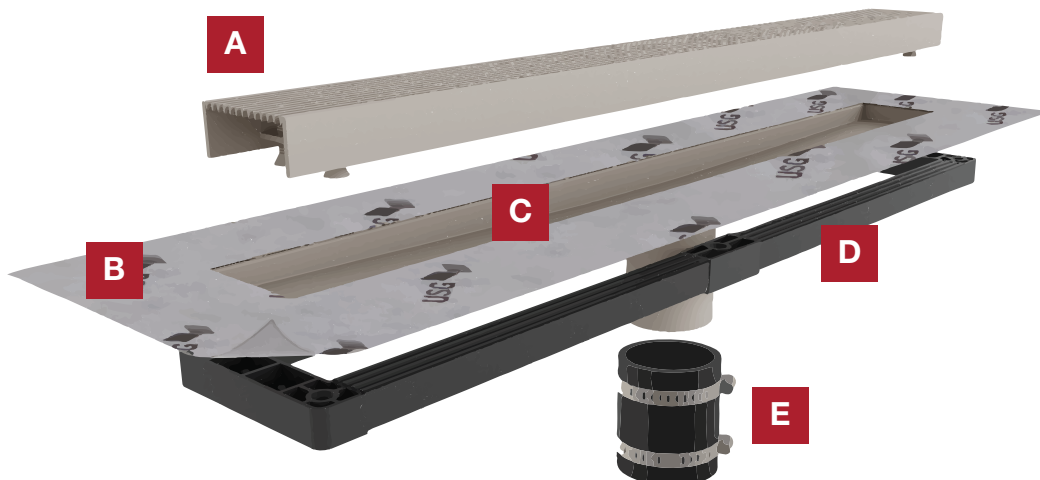
USG DUROCK™ BRAND
WATERPROOFING MEMBRANE
AND ACCESSORIES

USG DUROCK™ BRAND
INFINITY DRAIN™
LINEAR DRAIN KIT

USG DUROCK™ BRAND
INFINITY DRAIN™
SHOWER FLOOR

For technical Assistance,
call Infinity Drain Technical
Service at 516 767-6786.

DRAIN INSTALLATION



A. TOP GRATE

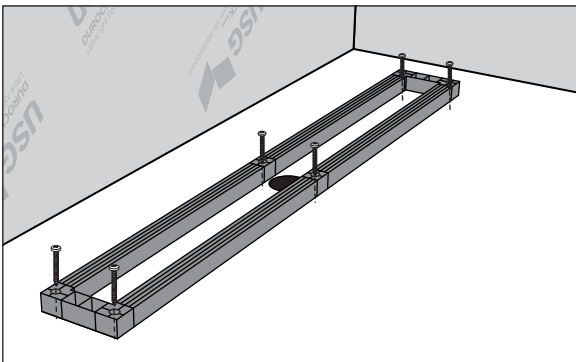
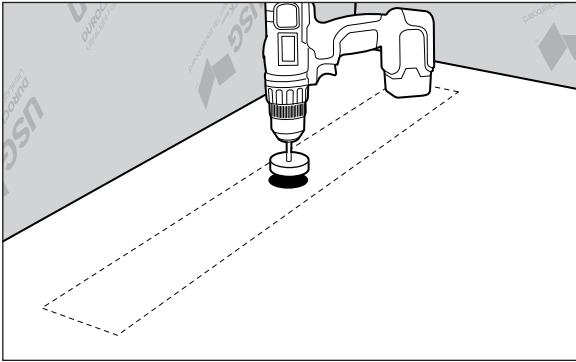
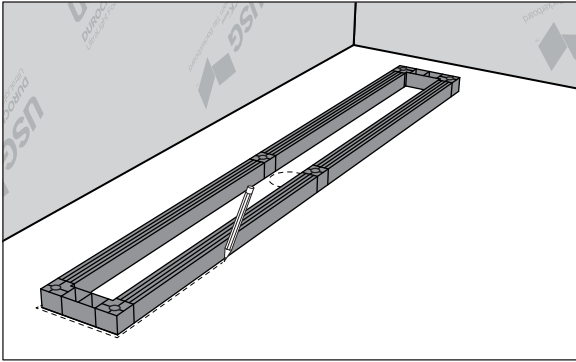
B. WATERPROOFING
MEMBRANE

C. DRAIN CHANNEL

D. DRAIN CHANNEL
SUPPORT

E. RUBBER COUPLING
(not included)

DRAIN CHANNEL SUPPORT INSTALLATION

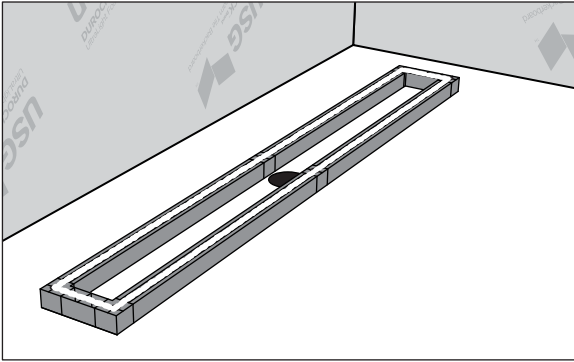


DRAIN CHANNEL SUPPORT INSTALLATION:

- Establish the desired drain position and location of the waste line.
- Using the template provided, mark the desired drain position and hole location for the waste line on the subfloor. Verify that the drain channel support (D) is in the correct position before cutting the hole in the subfloor.
- Verify the floor is level. If necessary, apply USG Durock™ Brand Self-Leveling Underlayment or Patch prior to installation.
- Cut the hole in subfloor.
- Place the drain channel support (D) within your markings on the subfloor.
- Ensure the drain channel support (D) is level. If drain channel support (D) is not level use the shims provided. Insert the shims between drain channel support (D) and subfloor while driving the screws through the holes and into the subfloor.
- Once the drain channel support (D) is level use the screws provided (blue screws for concrete; stainless steel screws for wood), secure the drain channel support (D) to the subfloor. Thru-holes are located at the middle and end of the drain channel support (D).
- Ensure the drain channel (C) fits into the drain channel support (D) by dry fitting the drain channel (C) before proceeding.

NOTE: Installer must verify all rough-in dimensions prior to installation and consult local and national codes. Conformity and compliance to local and national codes are the responsibility of the installer.

DRAIN INSTALLATION



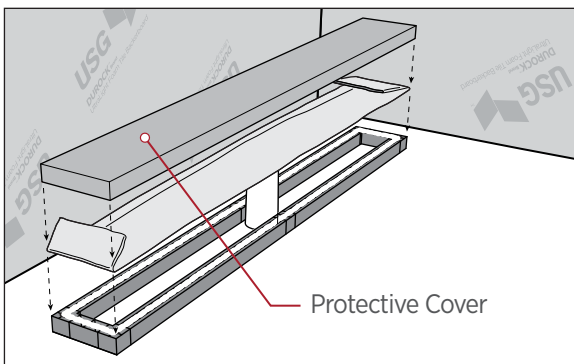
WHEN ABLE TO ACCESS WASTE LINE FROM BELOW:

- Apply a bead of USG Durock™ Brand Sealant, or similar, to the top surfaces of the drain channel support (D) and firmly set the drain channel (C) into the sealant.
- Connect the outlet section of the drain channel (C) to the existing waste line using a 2 in. (51 mm) DWV no hub rubber coupling (E) and tighten both hose clamps.

WHEN NOT ABLE TO ACCESS WASTE LINE FROM BELOW:

- Measure the distance from the top of the existing waste line to the top of the drain channel support (D). Make sure that the outlet section of the drain channel (C) is a minimum of 2 in. (51 mm) less than this dimension.

NOTE: The length of the outlet section of the drain channel (C) can be cut if necessary as long as 1 in. (25.4 mm) is left to connect to a 2 in. (51 mm) DWV no hub rubber coupling (E).



- Determine the distance from the bottom of the outlet section of the drain channel (C) to the top of the existing waste line.

- Cut a 2 in. (51 mm) dia. PVC or ABS pipe to a length 1/8 in. (3 mm) less than this dimension. Bond the 2 in. (51 mm) dia. PVC/ABS pipe to a 2 in. (51 mm) DWV PVC/ABS coupling using PVC/ABS primer and cement.

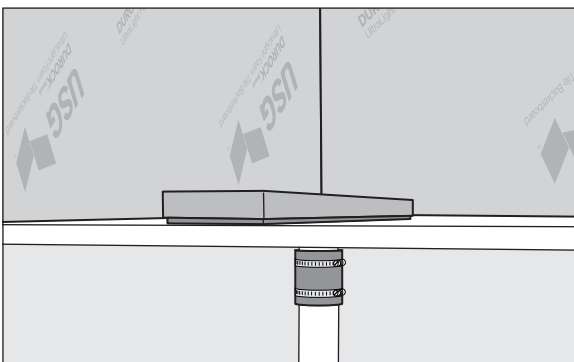
- Connect the other end of the 2 in. (51 mm) PVC/ABS pipe to the outlet section of the drain channel (C) via a 2 in. (51 mm) DWV no hub rubber coupling (E).

NOTE: Dry fit all of the components together to confirm a proper fit before proceeding.

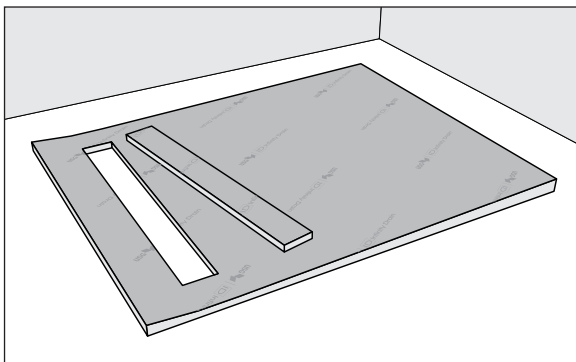
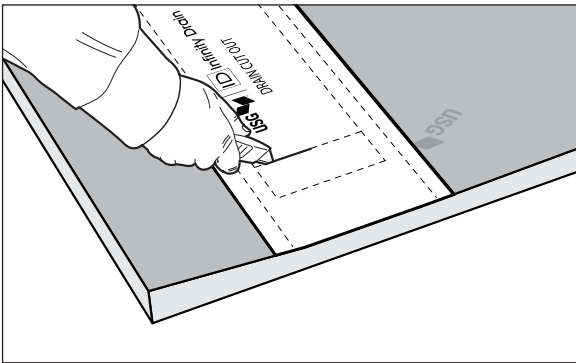
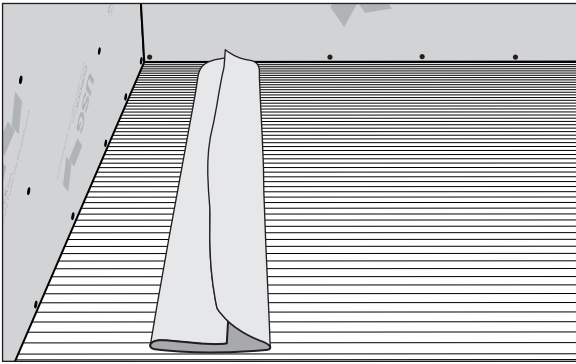
- Apply a bead of USG Durock™ Brand Sealant, or similar, to the top surfaces of the drain channel support
- Bond the free end of the 2 in. (51 mm) PVC/ABS pipe and coupling assembly to the existing waste line using PVC/ABS primer and cement and firmly set the drain channel (C) into the sealant.

PROTECT THE DRAIN ASSEMBLY:

- The linear drain is supplied with a temporary drain stop to prevent sewer gases from escaping once the drain is connected.
- For water test, replace temporary drain stop with water test plug (not included).
- Ensure the protective cover is placed over the drain and attached waterproofing. The cover should not be removed until shower floor installation.



SHOWER FLOOR INSTALLATION



FOR USG DUROCK™ BRAND INFINITY DRAIN™ SHOWER FLOOR INSTALLATION:

- Measure the location of the drain channel support (D).
- Transfer the measurements of the drain channel support (D) location to the USG Durock™ Brand Infinity Drain™ Shower Floor on the template provided.
- Cut the opening in the shower floor using a utility knife or similar.
- Dry-fit the USG Durock™ Brand Infinity Drain™ Shower Floor over drain and/or drain channel support (D) to ensure proper fit before proceeding.
- Floor must be level prior to installation of the USG Durock™ Brand Infinity Drain™ Shower Floor.
- Apply a tile-setting mortar (as specified in ANSI A118.1, A118.4, A118.11 or A118.15) to the subfloor using a 1/4 in. x 3/8 in. (6 mm x 10 mm) square or u-notched trowel.
- Firmly embed the USG Durock™ Brand Infinity Drain™ Shower Floor into the mortar. Check underside of tray to ensure full mortar coverage.

NOTE: If the USG Durock™ Brand Infinity Drain™ Shower Floor is larger than the footprint of the intended shower floor area, it can be cut to size using a utility knife.

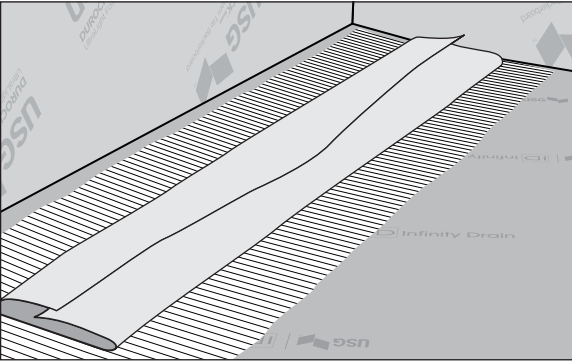
NOTE: If the USG Durock™ Brand Infinity Drain™ Shower Floor is smaller than the intended shower floor area, the area beyond the perimeter of the USG Durock™ Brand Infinity Drain™ Shower Floor can be extended using dry pack mortar.

FOR MORTAR BED INSTALLATION ONLY:

- Using the drain channel support (D) and the perimeter screeds as guides, screed the mortar bed to the proper slope. Perimeter screeds are not included.
- Once the mortar bed can be walked upon, apply tile-setting mortar (as specified in ANSI A118.1, A118.4, A118.11 or A118.15) using 3/16 in. x 3/16 in. (5 mm x 5 mm) V-notched trowel or 1/8 in. x 1/8 in. (3 mm x 3 mm) square or u-notched trowel.
- For waterproofing of mortar bed, apply USG Durock™ Brand Waterproofing Membrane over the mortar bed using tile-setting mortar.

For more information, refer to USG literature: *USG Durock™ Brand Waterproofing Membrane submittal sheet (CB595)*.

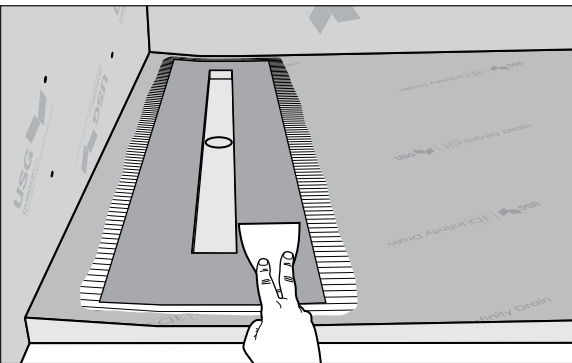
WATERPROOFING INSTALLATION



DRAIN

- Remove construction cover from drain assembly and unfold the pre attached waterproofing membrane.
- Apply a tile-setting mortar under the drain waterproofing membrane (B) of the shower walls and the pre-sloped shower tray using a 3/16 in. x 3/16 in. (5 mm x 5 mm) v-notched trowel or 1/8 in. x 1/8 in. (3 mm x 3 mm) square or u-notched trowel.
- Embed the drain waterproofing membrane (B) into the mortar using a finishing trowel, drywall taping knife, or similar tool. Make sure to remove all air pockets and check for proper seal of the membrane.

NOTE: Mortar can be used to fill any gaps between the drain channel support (D) and the shower floor cut out.

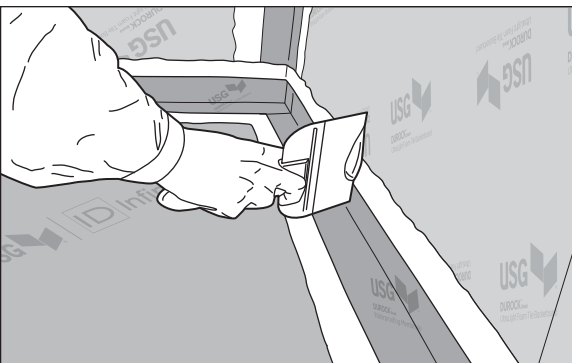
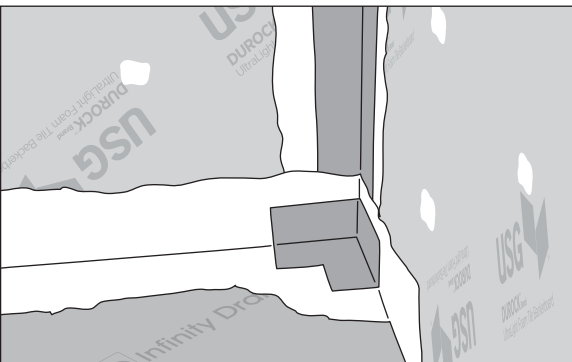


FLOOR/WALL JUNCTION

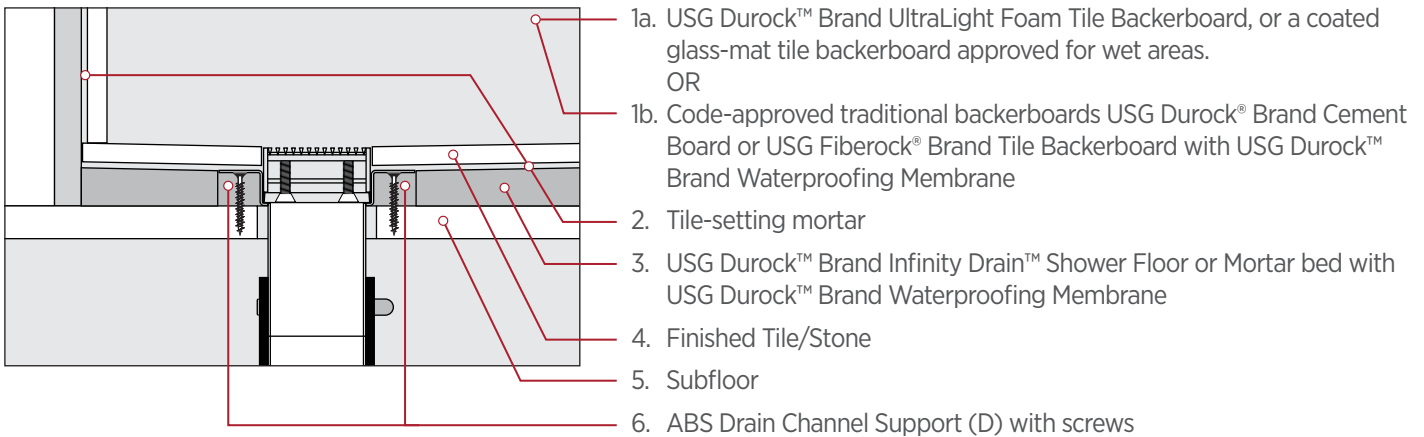
- Apply a tile-setting mortar (as specified in ANSI A118.1, A118.4, A118.11 or A118.15) to the corners of the shower walls and the pre-sloped shower tray using a 3/16 in. x 3/16 in. (5 mm x 5 mm) v-notched trowel or 1/8 in. x 1/8 in. (3 mm x 3 mm) square or u-notched trowel.
- Embed the USG Durock™ Brand Shower System Preformed Inside and Outside Corners into the mortar using a finishing trowel, drywall taping knife, or similar tool. Make sure to remove all air pockets and check for proper seal of the corner junctions.
- Apply a tile-setting mortar to the junctions of the shower walls and the pre-sloped shower floor using a 3/16 in. x 3/16 in. (5 mm x 5 mm) v-notched trowel or 1/8 in. x 1/8 in. (3 mm x 3 mm) square or u-notched trowel.
- Embed the USG Durock™ Brand Waterproofing Membrane Band into the mortar using a finishing trowel, drywall taping knife, or similar tool. Make sure to remove all air pockets and check for proper seal of the wall/floor junctions.

NOTE: To center waterproofing membrane band at inside wall/floor junction, crease waterproofing membrane band by folding in half lengthwise.

NOTE: For wall waterproofing, refer to usg.com for backerboard and waterproofing installation instructions.



TILE AND GRATE INSTALLATION



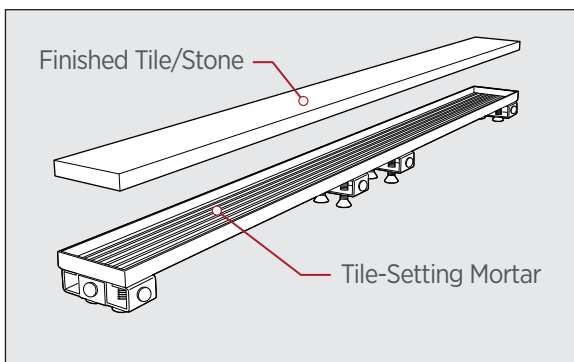
- Before water testing and setting tile, allow a minimum of 24 hours to ensure both proper curing of mortar and waterproof performance at all seams and connections.
- Insert a water test plug and fill the shower with approximately 3 in. (76 mm) of water. After 24 hours check for leakage and remove the plug. This confirms the waterproofing is sound.
- Arrange tile layout up to the edge of the drain channel grate opening. Do not allow installed tile to encroach into the drain opening. Verify proper grate placement while installing tile.

NOTE: If the tile encroaches into the grate opening in the drain channel, the grate will NOT FIT in the grate opening.

NOTE: All grate configurations are designed to accommodate a minimum 3/8 in. (10 mm) thick tile. If a lower profile tile is used, the outer adjustable feet can be removed.

- After the installation is tiled and grouted, place grate into the drain channel. Use adjustable feet to raise or lower the top grate to be 1/16 in. (1.5 mm) below the finished tile surface.

FOR TILE INSERT FRAME ONLY



- Spread a layer of tile-setting mortar (as specified in ANSI A118.1, A118.4, A118.11 or A118.15) into the Tile Insert Frame, allowing for mortar and tile to finish at least 1/16 in. (1.5 mm) above the metal frame.
- After the installation is tiled and grouted, place grate into the drain channel. Use adjustable feet to raise or lower the top grate to be 1/16 in. (1.5 mm) below the finished tile surface.

PRODUCT INFORMATION

See usgid.com for the most up-to-date product information.
Product safety information: 800 507-8899 or usg.com.
KEEP OUT OF REACH OF CHILDREN.

SAFETY FIRST!

Follow good safety/industrial hygiene practices during installation. Wear appropriate personal protective equipment. Read SDS and literature before specification and installation.

WARRANTY

See USG literature CB653
See infinitydrain.com

CUSTOMER SERVICE

USG 800 621.9523
Infinity Drain 516 767.6786

TECHNICAL SERVICE

Infinity Drain 516 767.6786

WEBSITE

usgid.com

USG



facebook.com/USGBuild



twitter.com/USGBuild



youtube.com/USGCorp



pinterest.com/USGCorporation

INFINITY DRAIN



facebook.com/InfinityDrain



twitter.com/InfinityDrain



youtube.com/IDInfinityDrain



pinterest.com/InfinityDrain

CB855-USA-ENG/rev. 10-17

© 2017 USG Corporation and/or its affiliates. All rights reserved. Printed in the U.S.A.
The trademarks USG, DUROCK FIBEROCK, the USG logo, the design elements and colors,
and related marks are trademarks of USG Corporation or its affiliates.

Infinity Drain is a trademark of Infinity Drain Ltd.

